

## QUICKSTEP/COMPLIMENTS/MOVEMENTS

### MASTERS GRADE

#### MOVEMENTS:

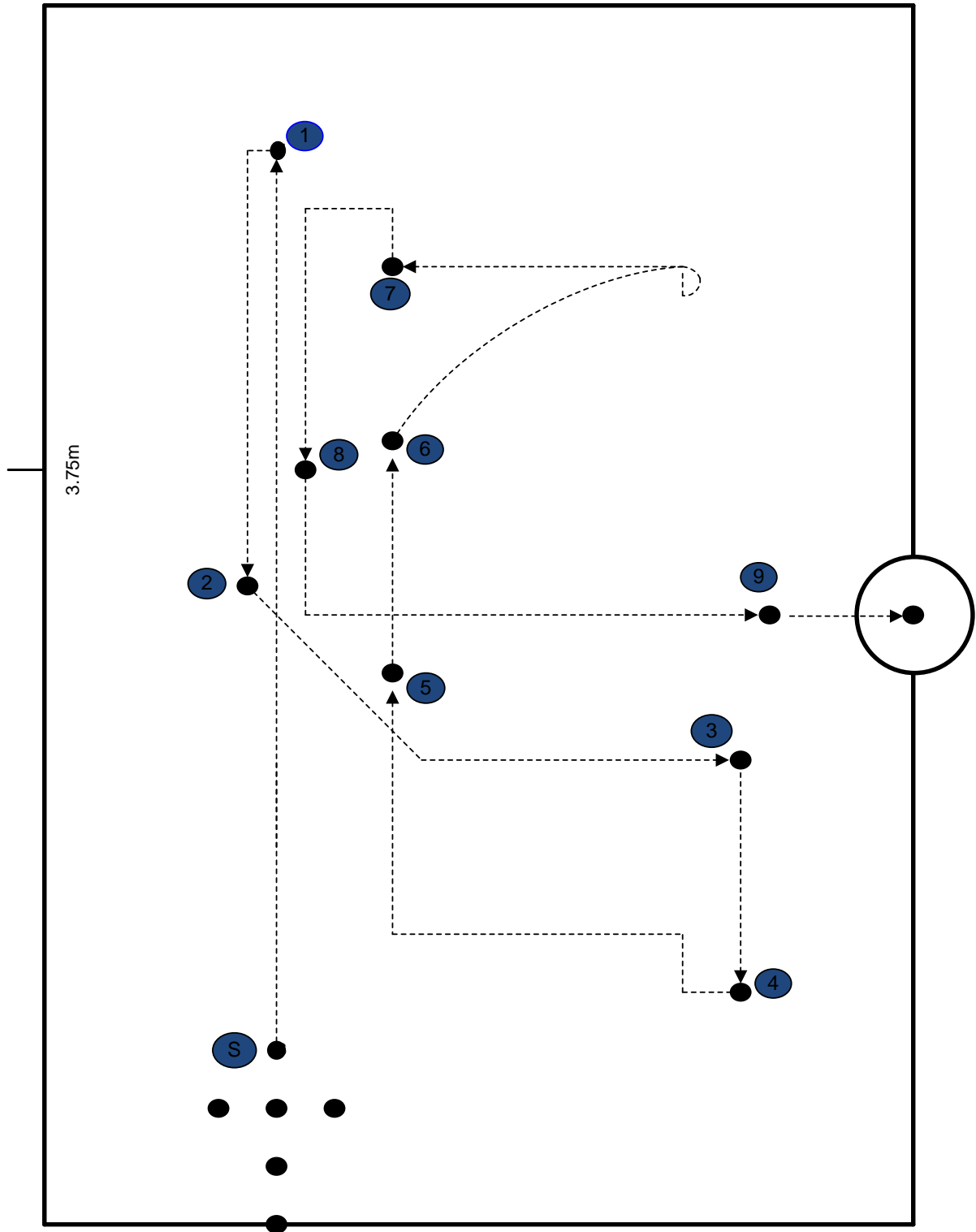
DISC	MOVEMENT
Start	Quickstep / Compliments
1	Left Turn Countermarch
2	45 Degree Left Incline
3	Special Right Turn
4	Wheel to Slow March
5	Form Line
6	Right Fixed Pivot Wheel in Line / Salute
7	Section Wheels / Open Formation
8	Reform Team/Left Turn
9	Form Arrow

#### DISC MEASUREMENTS: (0)=number of paces

Disc	Left of Centre	From Front Boundary	Right of Centre
Assembly	19.50m(26)	16.50m (22)	-
Start	11.25m(15)	16.50m (22)	-
1	-	16.50m (22)	12.00m(16)
2		17.25m(23)	.75m(1)
3	3.75m(5)	4.50m (6)	-
4	9.75m(13)	4.50m (6)	-
5	1.50m(2)	13.50m (18)	-
6		13.50m (18)	4.50m(6)
7		13.50m (18)	9.00(12)
8	-	15.75m(21)	3.75m(5)
9		3.75m(5)	

Note: The Assembly Position will be 19.50m, Left of Centre, unless this measurement precludes the use of an indoor venue in which case the Assembly Disc can be moved toward the side boundary at 18.00m or 16.50m.

TIME: 2 minutes 44 seconds (approx.)



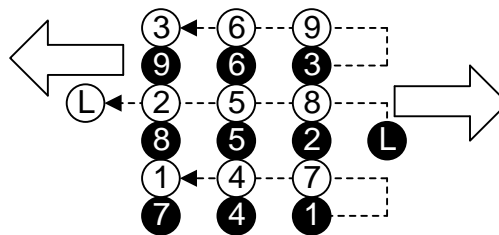
**START: By the Centre Quick March**

**QUICKSTEP/COMPLIMENTS:**

All Members	<p>March ten paces, halt, pause three beats with the Leader saluting and team members, except No. 1, turning heads to the right in unison during the second paused beat, march ten paces (to complete the 20-pace quickstep course), halt, pause three beats with team members turning heads to the front and the Leader dropping the salute in unison during the second paused beat.</p> <p>Including the step-out pace with the LEFT foot, ELEVEN paces will be taken to bring the Leader’s LEFT foot onto Disc 1.</p>
-------------	--

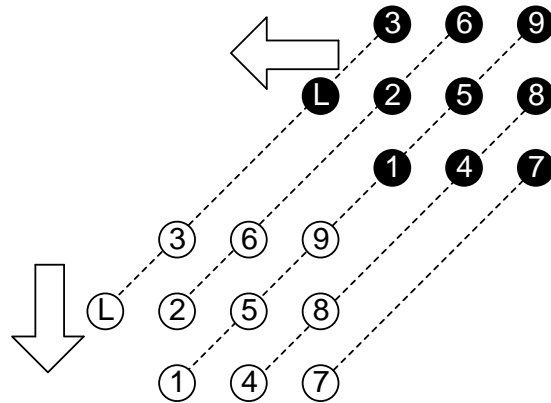
**DISC 1 – LEFT TURN COUNTERMARCH:**

Leader	Left turn, march one pace (arms at sides), left turn, march eight paces, mark time six beats and step out
Nos. 1/2/3	Mark time two beats, march two paces, left turn, march one pace (arms at sides), left turn, march six paces, mark time four beats and step out
Nos. 4/5/6	Mark time two beats, march two paces, mark time two beats, march two paces, left turn, march one pace (arms at sides), left turn, march four paces, mark time two beats and step out
Nos. 7/8/9	Mark time two beats, march two paces, mark time two beats, march two paces, mark time two beats, march two paces, left turn, march one pace (arms at sides), left turn, march two paces and step out
All Members	Including the step-out pace with the LEFT foot, SEVEN paces will be taken to bring the Leader’s LEFT foot onto Disc 2.



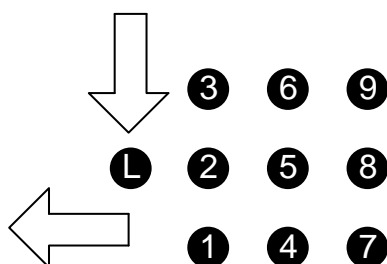
**DISC 2 – 45 DEGREE LEFT INCLINE:**

All Members	45 degree left turn and march eleven regulated paces (approx. .58cm in length to finish six paces forward and six pages to the left of disc 2), 45 degree left turn and step out
All Members	Including the step-out pace with the LEFT foot, ELEVEN paces will be taken to bring the Leader’s LEFT foot onto Disc 3.



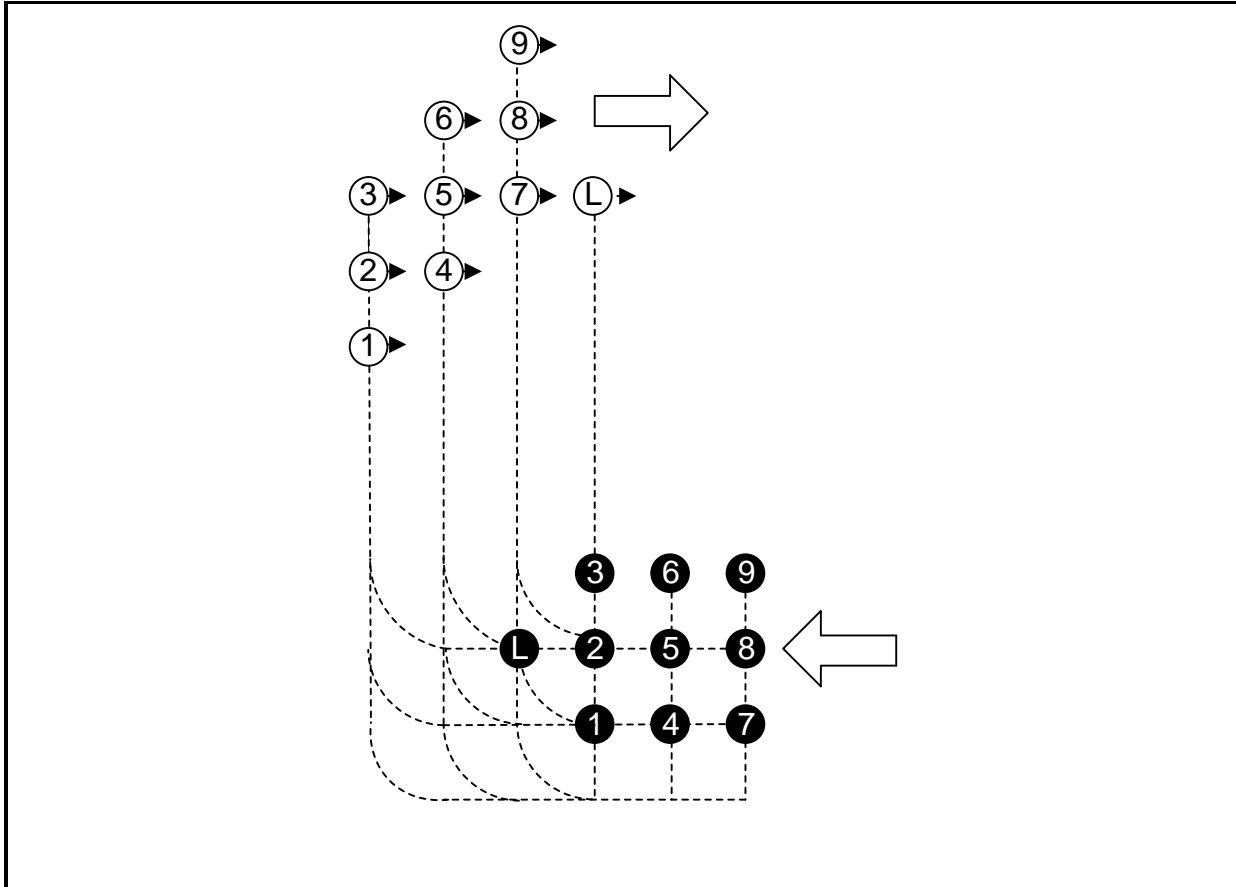
**DISC 3 – SPECIAL RIGHT TURN:**

All Members	Halt. Special Right Turn (as detailed below)
Beat one (left)	Pivot 45 degrees to the right on the ball of the left foot and extend the right foot to the line of march (toe to ground) and hesitate
Beat two (right)	Pause one beat
Beat three (left)	Raise the right foot to the mark time position and hesitate
Beat four (right)	Pause one beat
Beat five (left)	Lower the right foot to the stationery position and hesitate
Beat six (right)	Pause one beat
Beat seven (left)	Pivot 45 degrees to the right on the ball of the left foot and hesitate
Beat eight (right)	Pause one beat
All Members	Including the step-out pace with the LEFT foot, EIGHT paces will be taken to bring the Leader’s RIGHT foot onto Disc 4.



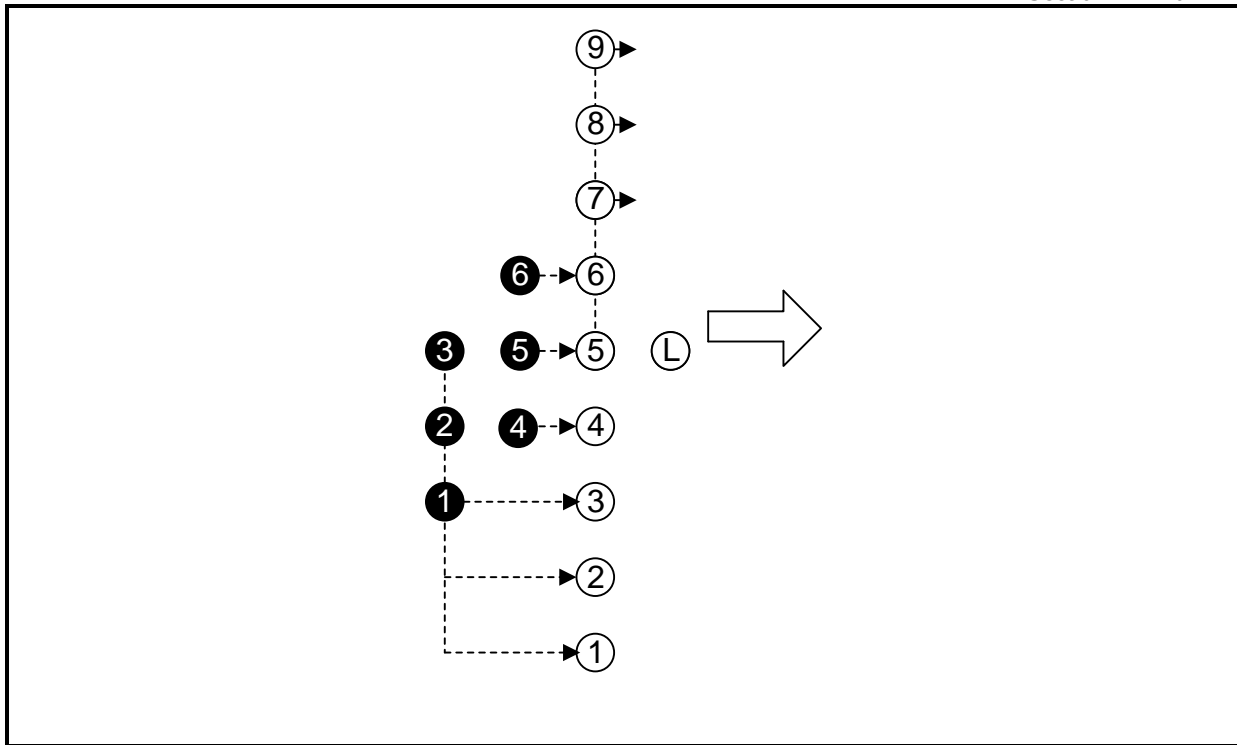
**DISC 4 - WHEEL TO SLOW MARCH:**

Leader	Halt, pause one beat, take two side paces to the right
Nos. 1/2/3/4/5/6/7/8/9	Halt, pause one beat, take two side paces to the left
Leader	Pivot 90 degrees right on the ball of the left foot, pause one beat, pivot 90 degrees right on the ball of the left foot, pause one beat
Nos. 1/2/3/4/5/6/7/8/9	March four paces
Leader	March two paces, halt, pivot 90 degrees left on the ball of the right foot, pause five beats
Nos. 1/2/3	Mark time four beats, march four regulated paces to wheel 90 degrees to the right (radius two paces), halt
Nos. 4/5/6	Mark time two beats, march four regulated paces to wheel 90 degrees to the right (radius two paces), march two paces, halt
Nos. 7/8/9	March four regulated paces to wheel 90 degrees to the right (radius two paces), march four paces, halt
All Members	Slow march eleven paces of approx. 68cm in length starting with the right foot on the left beat, halt, mark time six beats turning evenly 90 degrees to the right and step out
All Members	Including the step out pace with the LEFT foot, NINE paces will be taken to bring the Leader's LEFT foot onto Disc 5.



**DISC 5 – FORM LINE:**

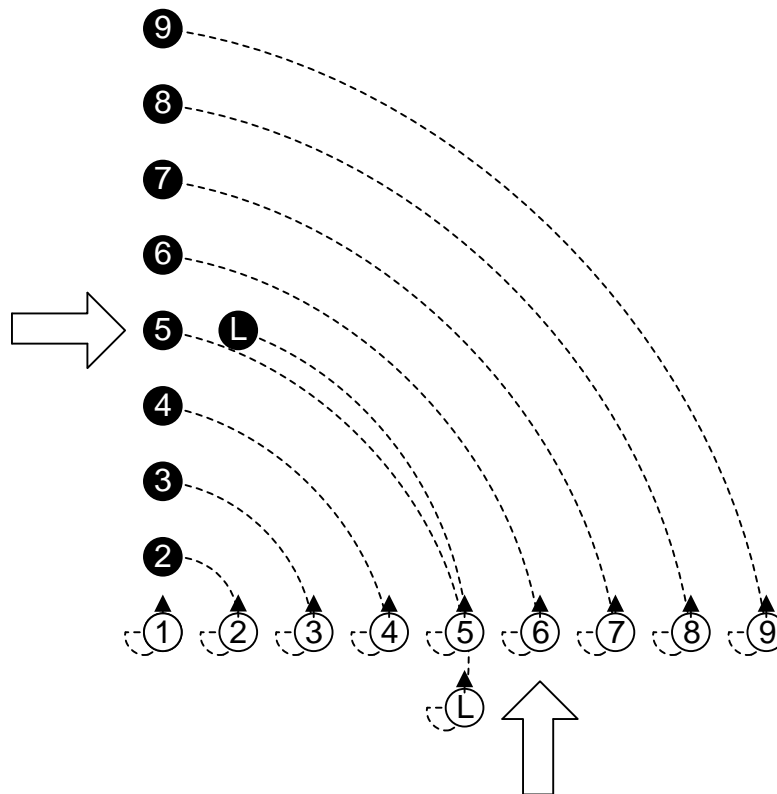
Leader	Halt, mark time twelve beats and step out
Nos. 1/2/3	Off-step right turn, march four paces, halt, pause one beat, pivot 90 degrees to the left on the ball of right foot, pause one beat, march four paces and step out
Nos. 4/5/6	Halt, mark time ten beats, march two paces and step out
Nos. 7/8/9	Left turn, march four paces, halt, pause one beat, pivot 90 degrees to the right on the ball of left foot, pause one beat, mark time four beats and step out
All Members	Including the step-out pace with the LEFT foot, EIGHT paces will be taken to bring the Leader’s RIGHT foot onto Disc 6.



**DISC 6 – RIGHT FIXED PIVOT WHEEL IN LINE / SALUTE:**

<p>Leader and No. 2/3/4/5/6/7/8/9</p>	<p>Mark time two beats, pivoting to align shoulders (Leader only), and turning heads right to No. 1 as the foot descends on the second beat, hesitate then march twenty-six regulated paces (arms at sides) to wheel 90 degrees to the right maintaining distance from No. 1 throughout the wheel, mark time two beats, pivoting to align shoulders (Leader only) and turning heads to the new front as the foot descends on the second beat.</p>
<p>No. 1</p>	<p>Mark time two beats, turning head left to No. 2 as the foot descends on the second beat of mark time, mark time twenty-six beats, turning evenly 90 degrees to the right, mark time two beats, turning head to the new front as the foot descends on the second beat of mark time.</p>
<p>All Members</p>	<p>Pause eight beats, saluting in unison on beat three and concluding salute on beat six.</p>
<p>Nos 1/2/3</p>	<p>Pause six beats, march four regulated paces (arms at sides) to wheel 180 degrees to the right (radius half a pace), mark time one beat, take one side pace to the right, pause seven beats and step out.</p>
<p>Leader and Nos 4/5/6</p>	<p>Pause twelve beats, march four regulated paces (arms at sides) to wheel 180 degrees to the right (radius half a pace), mark time one beat, take one side pace to the right, pause one beat and step out.</p>

Nos 7/8/9	March four regulated paces (arms at sides) to wheel 180 degrees to the right (radius half a pace), mark time one beat, take one side pace to the right, pause thirteen beats and step out.
All Members	Including the step-out pace with the LEFT foot, TEN paces will be taken to bring the Leader's RIGHT foot onto Disc 7.

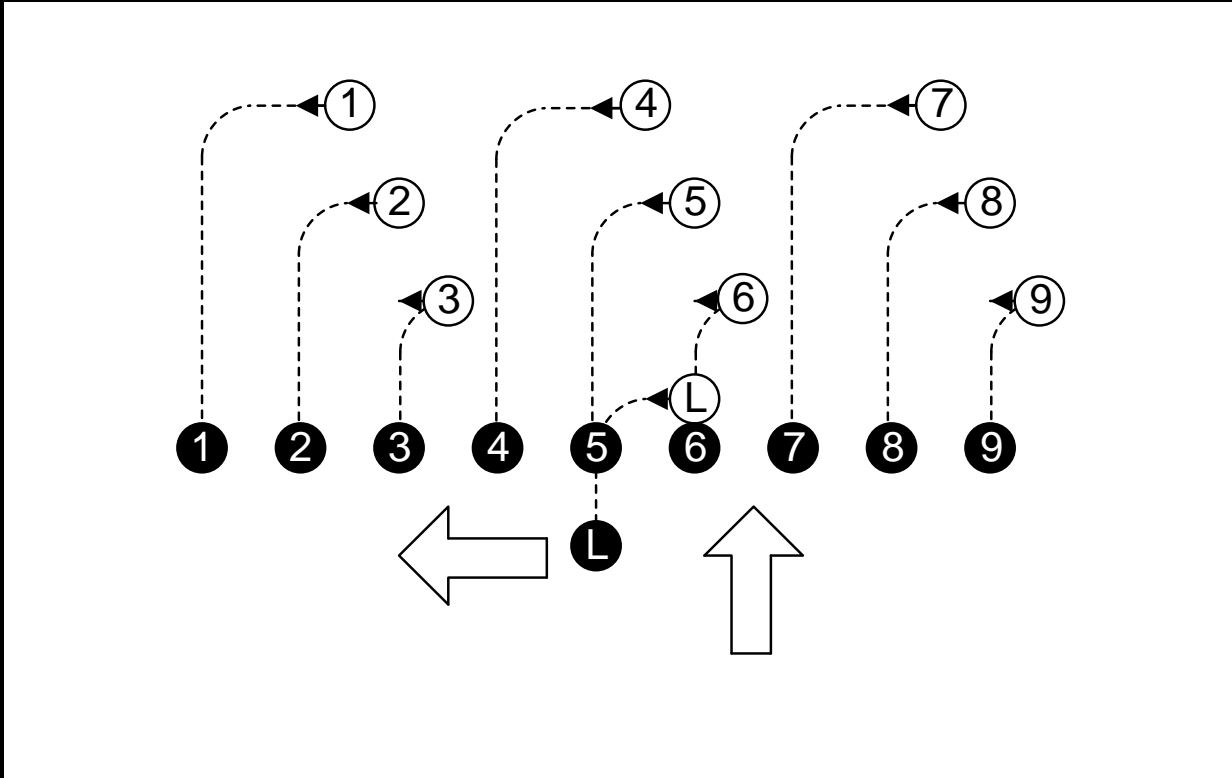


**DISC 7 – SECTION WHEELS / OPEN FORMATION:**

Leader	Mark time four beats, march two paces, march four regulated paces (arms at sides) to wheel 90 degrees to the right (radius one pace), march one pace, mark time three beats, pivot 90 degrees to the right on the ball of the left foot, pause one beat, pivot 90 degrees to the right on the ball of the left foot, pause one beat and step out
Nos. 1/4/7	March six paces, march four regulated paces (arms at sides) to wheel 90 degrees to the right (radius one pace) march two paces, mark time two beats, pivot 90 degrees to the right on the ball of the left foot, pause one beat, pivot 90 degrees to the right on the ball of the left foot, pause one beat and step out



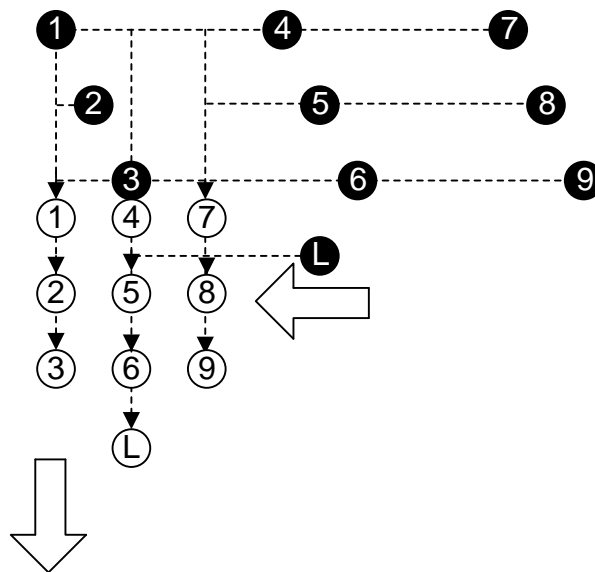
<p><b>Nos. 2/5/8</b></p>	<p><b>Mark time two beats, march four paces, march four regulated paces (arms at sides) to wheel 90 degrees to the right (radius one pace) march one pace, mark time three beats, pivot 90 degrees to the right on the ball of the left foot, pause one beat, pivot 90 degrees to the right on the ball of the left foot, pause one beat and step out</b></p>
<p><b>Nos. 3/6/9</b></p>	<p><b>Mark time four beats, march two paces, march four regulated paces (arms at sides) to wheel 90 degrees to the right (radius one pace), mark time four beats, pivot 90 degrees to the right on the ball of the left foot, pause one beat, pivot 90 degrees to the right on the ball of the left foot, pause one beat and step out</b></p>
<p>All Members</p>	<p>Including the step-out pace with the LEFT foot, NINE paces will be taken to bring the Leader’s LEFT foot onto Disc 8.</p>



**DISC 8 – REFORM TEAM / LEFT TURN:**

<p>Leader and No. 5</p>	<p>Mark time six beats, march five paces, halt, pause one beat</p>
<p>No. 3</p>	<p>Mark time nine beats, march two paces, halt, pause one beat</p>
<p>No. 6</p>	<p>Mark time five beats, march six paces, halt, pause one beat</p>

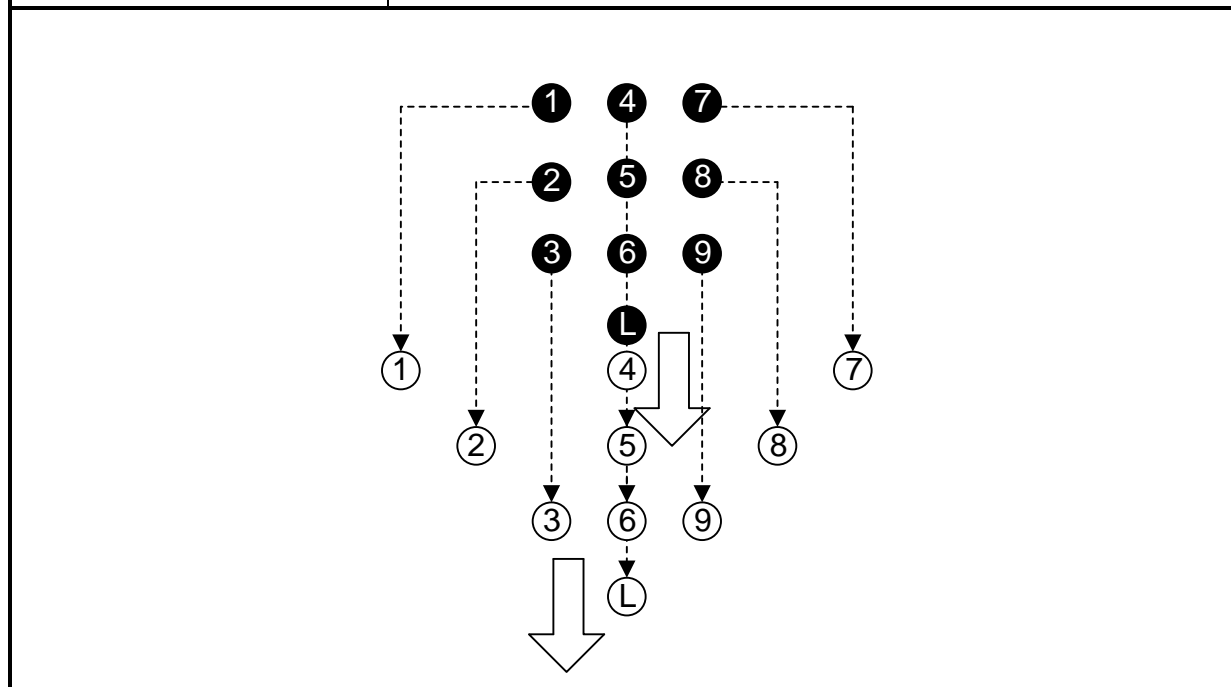
No. 9	Mark time one beat, march ten paces, halt, pause one beat
No. 2	Mark time ten beats, march one pace, halt, pause one beat
No. 8	Mark time two beats, march nine paces, halt, pause one beat
No. 1	Mark time eleven beats, pause two beats
No. 4	Mark time seven beats, march four paces, halt, pause one beat
No. 7	Mark time three beats, march eight paces, halt, pause one beat
All Members	Pivot 90 degrees to the left on the ball of the right foot and march five paces, halt and step out
All Members	Including the step out pace with the LEFT foot, ELEVEN paces will be taken to bring the Leader’s LEFT foot onto Disc 9.



**DISC 9 – FORM ARROW:**

All Members	Halt
Leader and Nos. 3/4/5/6/9	Mark time eight beats
No. 8	Take two side paces to the left, mark time four beats

No. 2	Take two side paces to the right, mark time four beats
No. 7	Take four side paces to the left
No. 1	Take four side paces to the right
All Members	March four paces and halt Pause nine beats, saluting in unison on beat four and concluding salute on beat seven, left turn and march off the contest field.



**NOTES:**

1. There will be no whistle signal to indicate the final halt.
2. The left turn executed to march off the competition area is optional, but must not exceed six beats.
3. The team must march directly off the competition area and must not halt or disband until well clear of the side boundary.